



UAE modul Cat.6

- unshielded Cat.6 class E UAE module
- for Gigabit Ethernet
- compliance with class E to ISO/IEC 11801 Ed.2.2:2011-06, DIN EN 50173-1:2011-09
- suitable for Power over Ethernet (PoE, PoE plus and UPoE)
- easy to install connection of 2 to 4-pair data lines AWG 24/1 - 22/1 and stranded wires with 7 copper conductors AWG 26/7 to BTR 8-fold insulation displacement connectors (IDC)
- optional strain relief with cable tie at UAE module
- installation shape: module

- variants: designation of conductor colors marking to T568A, T568B

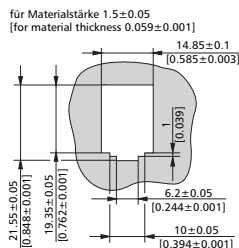


UTP modul Cat.6 - Keystone

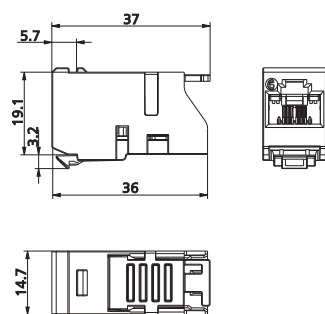
- unshielded Cat.6 class E UTP module
- for Gigabit Ethernet
- compliance with class E to ISO/IEC 11801 Ed.2.2:2011-06, DIN EN 50173-1:2011-09
- suitable for Power over Ethernet (PoE, PoE plus and UPoE)
- easy to install connection of 2 to 4-pair data lines AWG 24/1 - 22/1 and stranded wires with 7 copper conductors AWG 26/7 to BTR 8-fold insulation displacement connectors (IDC)
- optional strain relief with cable tie at UTP module
- installation shape: Keystone

- variants: designation of conductor colors marking pearl white to T568A, black to T568A, black to T568B

BTR module cut-out

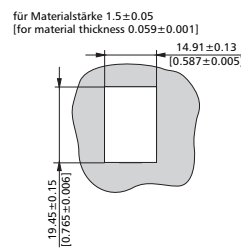


Dimensional drawing

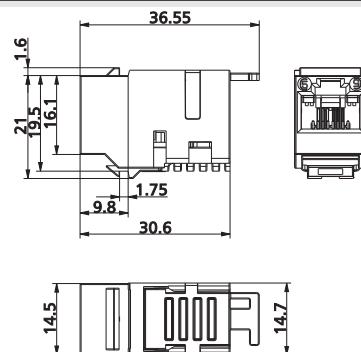


P/N	Color	Feature 1	Feature 2	EAN
130909-I	pearl white	Cat.6 T568A	BTR module cut-out	4250184105466
130909-I-B1	pearl white	Cat.6 T568B	BTR module cut-out	4250184118367

Keystone module cut-out



Dimensional drawing



P/N	Color	Feature 1	Feature 2	EAN
130A10-29-I	black	Cat.6 T568A	Keystone module cut-out	4250184111009
130A10-29-I-B1	black	Cat.6 T568B	Keystone module cut-out	4250184118381
130A10-I	pearl white	Cat.6 T568A	Keystone module cut-out	4250184106647