

**Matching accessory for C6<sub>A</sub> modul 180°**

Dust protection cover for C6 <sub>A</sub> modul pure white	271
Dust protection cover for C6 <sub>A</sub> modul light gray	271
Dust protection cover for C6 <sub>A</sub> modul yellow	271
Dust protection cover for C6 <sub>A</sub> modul blue	271
Dust protection cover for C6 <sub>A</sub> modul green	271
Dust protection cover for C6 <sub>A</sub> modul red	271
Dust protection cover for C6 <sub>A</sub> modul black	271

**Matching accessory for C6<sub>A</sub> modul 270°**

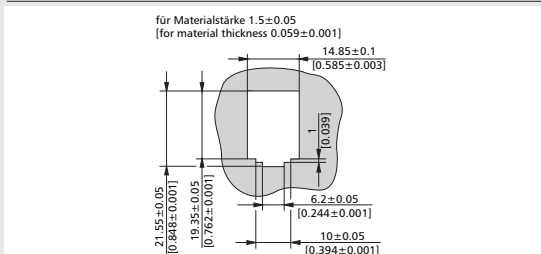
Dust protection cover for C6 <sub>A</sub> modul pure white	271
Dust protection cover for C6 <sub>A</sub> modul light gray	271
Dust protection cover for C6 <sub>A</sub> modul yellow	271
Dust protection cover for C6 <sub>A</sub> modul blue	271
Dust protection cover for C6 <sub>A</sub> modul green	271
Dust protection cover for C6 <sub>A</sub> modul red	271
Dust protection cover for C6 <sub>A</sub> modul black	271



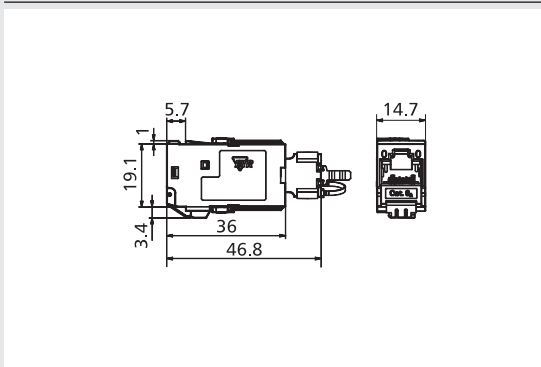
**C6<sub>A</sub> modul 180°**

- modular termination unit RJ45
- certified to GHMT Cat.6<sub>A</sub> re-embedded PVP
- component testing for Cat.6<sub>A</sub> to ISO/IEC 11801 Ed.2.2:2011-06, DIN EN 50173-1:2011-09, TIA/EIA-568-C.2 (2009-08) and IEC 60603-7-51 Ed.1 (12/2008), certified to GHMT
- compliance with class E<sub>A</sub> up to 500 MHz to ISO/IEC 11801 Ed.2.2:2011-06, DIN EN 50173-1:2011-09
- tested: component up to 600 MHz, link up to 800 MHz
- for 10 GBit Ethernet (IEEE 802.3an)
- suitable for Power over Ethernet (PoE, PoE plus and UPoE)
- easy to install connection of data lines AWG 24/1 to 22/1 (solid wire) and AWG 26/7 to 22/7 (stranded wire) to insulation displacement connectors (IDC)
- intelligent cable management in stuffer cap - also suitable for heavily twisted cables
- conductor assignment to T568A and T568B is directly printed on the stuffer cap
- solid, one-piece and reusable module housing refined with zinc die-casting
- mounting without special tools; strain relief directly snapped on to stuffer cap
- mounting version: module, 180° cable feed

**BTR module cut-out**



**Dimensional drawing**



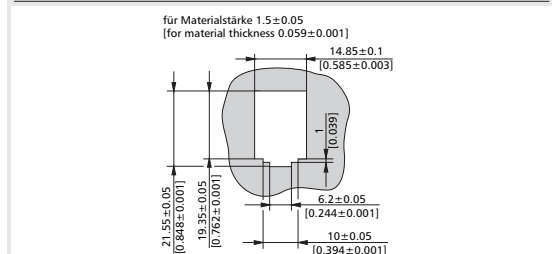
P/N	Color	Feature 1	Feature 2	EAN
130B11-E		180°	BTR module cut-out	4250184132646



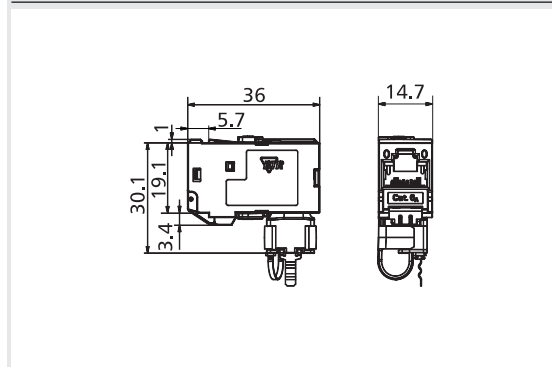
**C6<sub>A</sub> modul 270°**

- modular termination unit RJ45
- certified to GHMT Cat.6<sub>A</sub> re-embedded PVP
- component testing for Cat.6<sub>A</sub> to ISO/IEC 11801 Ed.2.2:2011-06, DIN EN 50173-1:2011-09, TIA/EIA-568-C.2 (2009-08) and IEC 60603-7-51 Ed.1 (12/2008), certified to GHMT
- compliance with class E<sub>A</sub> up to 500 MHz to ISO/IEC 11801 Ed.2.2:2011-06, DIN EN 50173-1:2011-09
- tested: component up to 600 MHz, link up to 800 MHz
- for 10 GBit Ethernet (IEEE 802.3an)
- suitable for Power over Ethernet (PoE, PoE plus and UPoE)
- easy to install connection of data lines AWG 24/1 to 22/1 (solid wire) and AWG 26/7 to 22/7 (stranded wire) to insulation displacement connectors (IDC)
- intelligent cable management in stuffer cap - also suitable for heavily twisted cables
- conductor assignment to T568A and T568B is directly printed on the stuffer cap
- solid, one-piece and reusable module housing refined with zinc die-casting
- mounting without special tools; strain relief directly snapped on to stuffer cap
- mounting version: module, 270° cable feed

**BTR module cut-out**



**Dimensional drawing**



P/N	Color	Feature 1	Feature 2	EAN
130B12-E		270°	BTR module cut-out	4250184133452