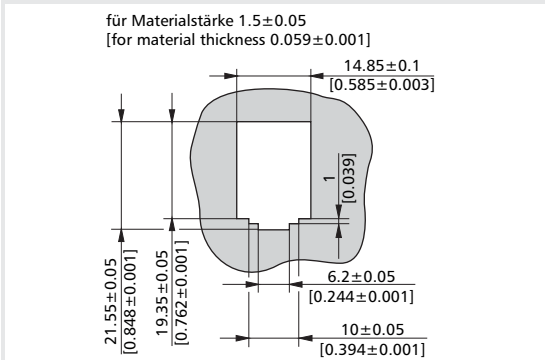




**OpDAT modul LC-D**

- LC duplex couplers with adapter, fits Modul applications
- slotted zirconia ceramic sleeve (ZrO2) for single mode applications
- slotted metal sleeve (PhBr) for multi mode applications
- perfect for "fiber to the desk" solutions
- service life min. 1000 mating cycles with slotted zirconia ceramic sleeve (ZrO2)
- service life min. 500 mating cycles with slotted metal sleeve (PhBr)
- variants: blue (SM), green (SM APC), heather violet (OM4), aqua (OM3), beige (OM2)

**BTR module cut-out**



P/N	Color	Feature 1	Feature 2	EAN
15091071-I	blue	LC-D (Cer.) SM	BTR module cut-out	4250184109778
15091076-I	green	LC-D (Cer.) SM APC	BTR module cut-out	4250184146926
15091075-I	heather violet	LC-D (Cer.) MM	BTR module cut-out	4250184146933
15091072-I	aqua	LC-D (Cer.) MM	BTR module cut-out	4250184134466
15091070-I	beige	LC-D (Ph-Br) MM	BTR module cut-out	4250184109761

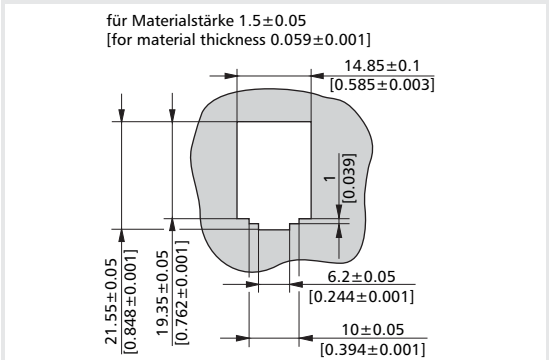


\*Figure similar

**OpDAT modul ST**

- ST coupler (ceramic) with adapter, fits Modul applications
- perfect for "fiber to the desk" solutions
- OpDAT modul ST is suited for single mode (SM) and multi mode (MM)
- service life min. 2000 mating cycles

**BTR module cut-out**



P/N	Color	Feature 1	Feature 2	EAN
15091001-I	light gray	ST (ceramic)	BTR module cut-out	4250184109754